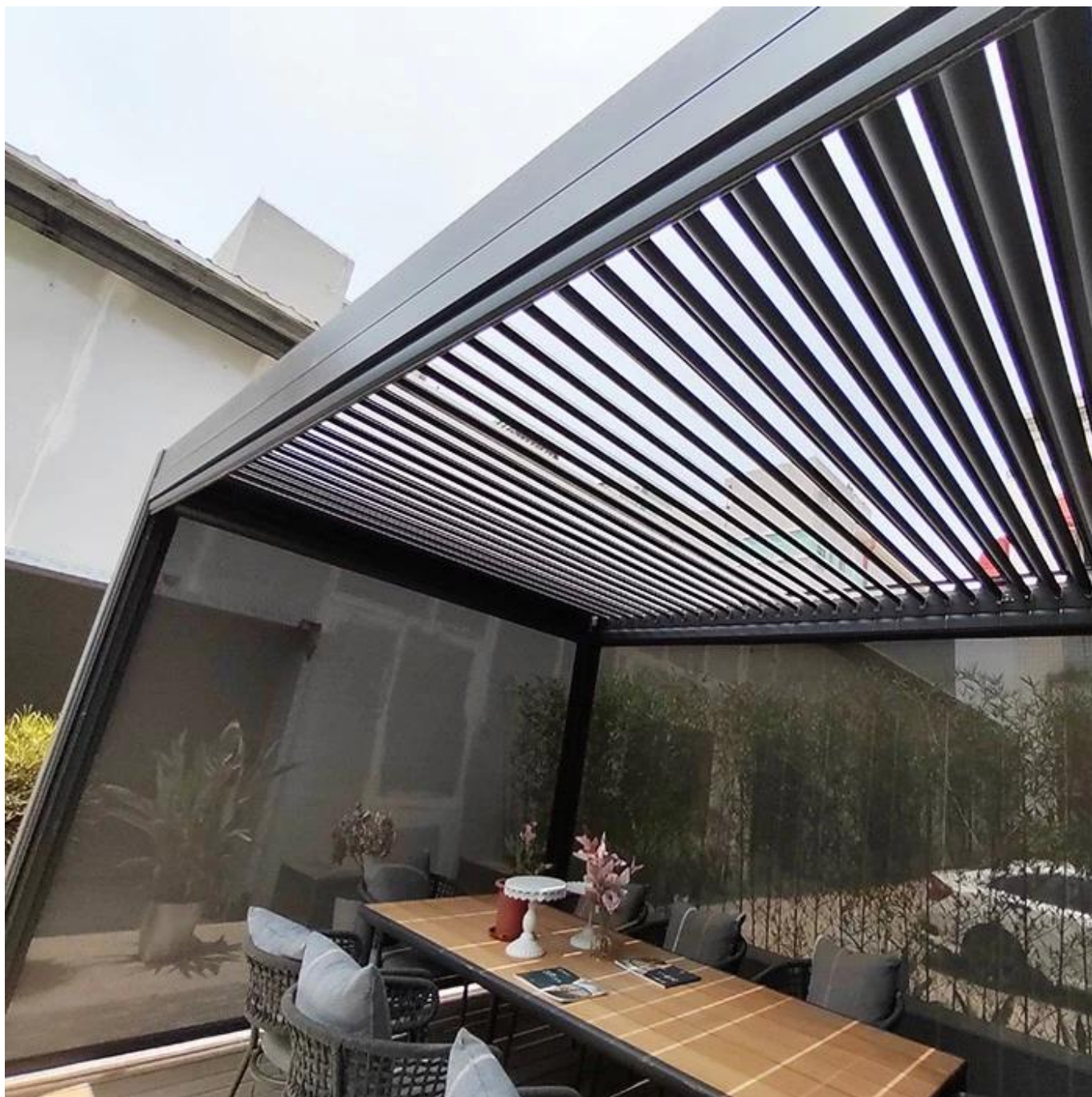


Motorized Louvered Pergola with Side Curtain

High-end motorized louvered roof, made of aluminum structure with insulated aluminum panels, offers outstanding comfort in cold and hot seasons. Pergola Roof Louvered withstands greater snow loads and strong winds and can still admit light and air. It is a great application for your balcony, patio, terrace, or restaurant etc.





Details of Louvered Pergola



Features

Control your exposure to the sun.

Spend more time relaxing outside.

Remote control makes opening and closing the system a breeze.

Increase your home's value.

Stronger than a retractable awning.

Protect your outdoor furniture.

Reduce the cost of cooling your home.

Use in conjunction with roll screens to enclose your outdoor space.



protection from the sun



ventilation



regulation of temperature



water-proof

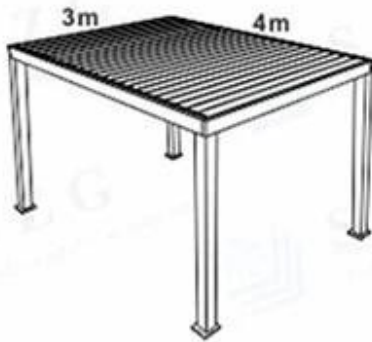


wind-resistant

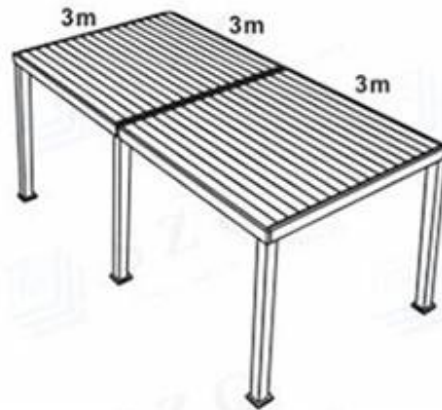


durable for snow

Installation Combinations



3m*4m



3m*6m



3m*8m



6m*6m

Applications

Garden

Balcony

Patio

Terrace

Courtyard

Alfresco dining



Welcome to send us inquiry with your detail requirement and question.