

12mm Tempered Glass Aluminium U Channel Partition Wall

Glass for Partition Wall

The strength and safety properties of 12mm tempered glass is achieved by heating 12mm annealed glass in a tempering oven between 1100 - 1150 degrees F. The glass surface is then rapidly cooled with high-pressure blasts of air, causing the outer surfaces of the glass to cool and contract faster than the center. As a result, the surfaces of the glass are in compression while the core is in tension to balance it giving the glass its strength.

This process also gives tempered glass a distinct break pattern. Annealed glass breaks easily and fractures into large, sharp pieces that can inflict significant harm or injury. In contrast, because tempered glass is 5 times stronger, it fractures into relatively small pieces when broken. This significantly reduces the chances of injuries or harm.

Tempered glass has below properties:

Versatility: Tempered glass can be shaped into different forms and styles to meet various applications.

Impact resistance: The impact resistance of tempered glass is very high compared with float glass. This helps withstand extreme conditions and temperatures.

Strength: Tempered glass can be 3 to 5 times stronger than annealed glass, making it suitable for more demanding applications with high environmental loads.

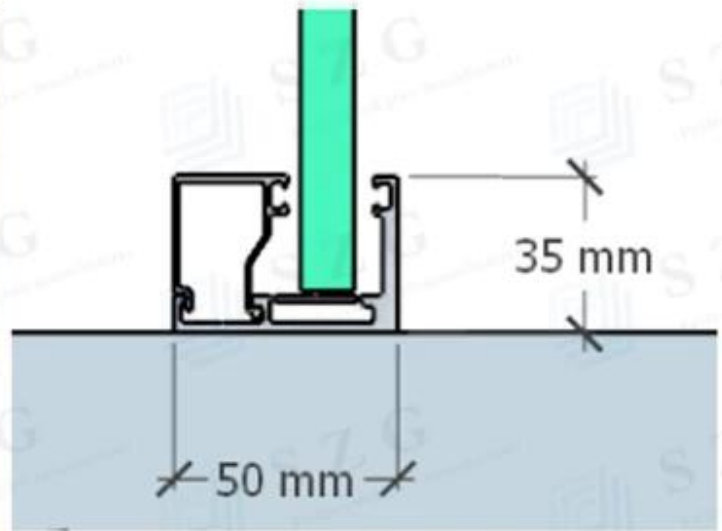
Fabrication: Any cutting or grinding must be done before tempering, since these processes will cause fracture once the glass is tempered.



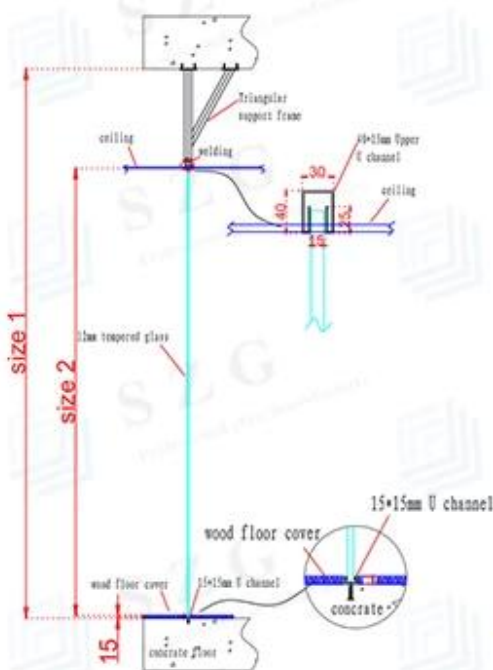




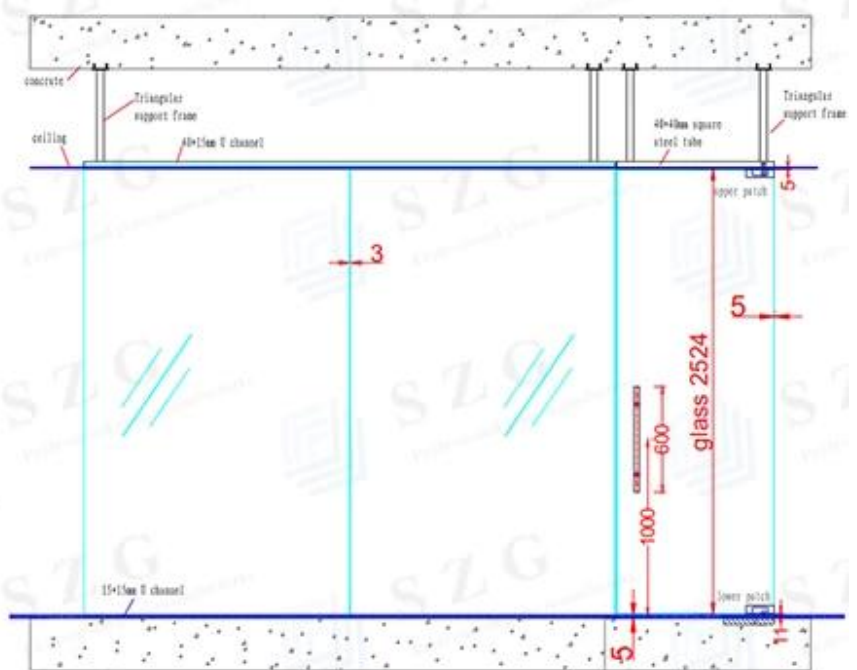
Aluminium U Channel for partition wall



glass wall side view



glass wall front view



Advantage:

1. Anti scratch & waterproof, High temperature resistance, A smooth surface bright and clean.
2. Environmentally friendly standard, can be reused many times, especially for moving to new area.
3. Easily assembling, non-professional can assemble also fire-proof, easily clean, easily remove, etc.
4. Environment friendly, green product.



Welcome to send us inquiry with your detail requirement and question.