

Specifications

Maximum door leaf weight: 100kg

Maximum door leaf width: 1050mm

Floor mounted by surface fixing(non-excavating)

Reduce time and cost taken by installation

Self-closing when door is closed to 85 degree

Double action, maximum door open angle: 125 degree

Hold-open at door open angle 90 degree

Valve adjustment available for closing speed control

Self-positioned when door reaches to initial position

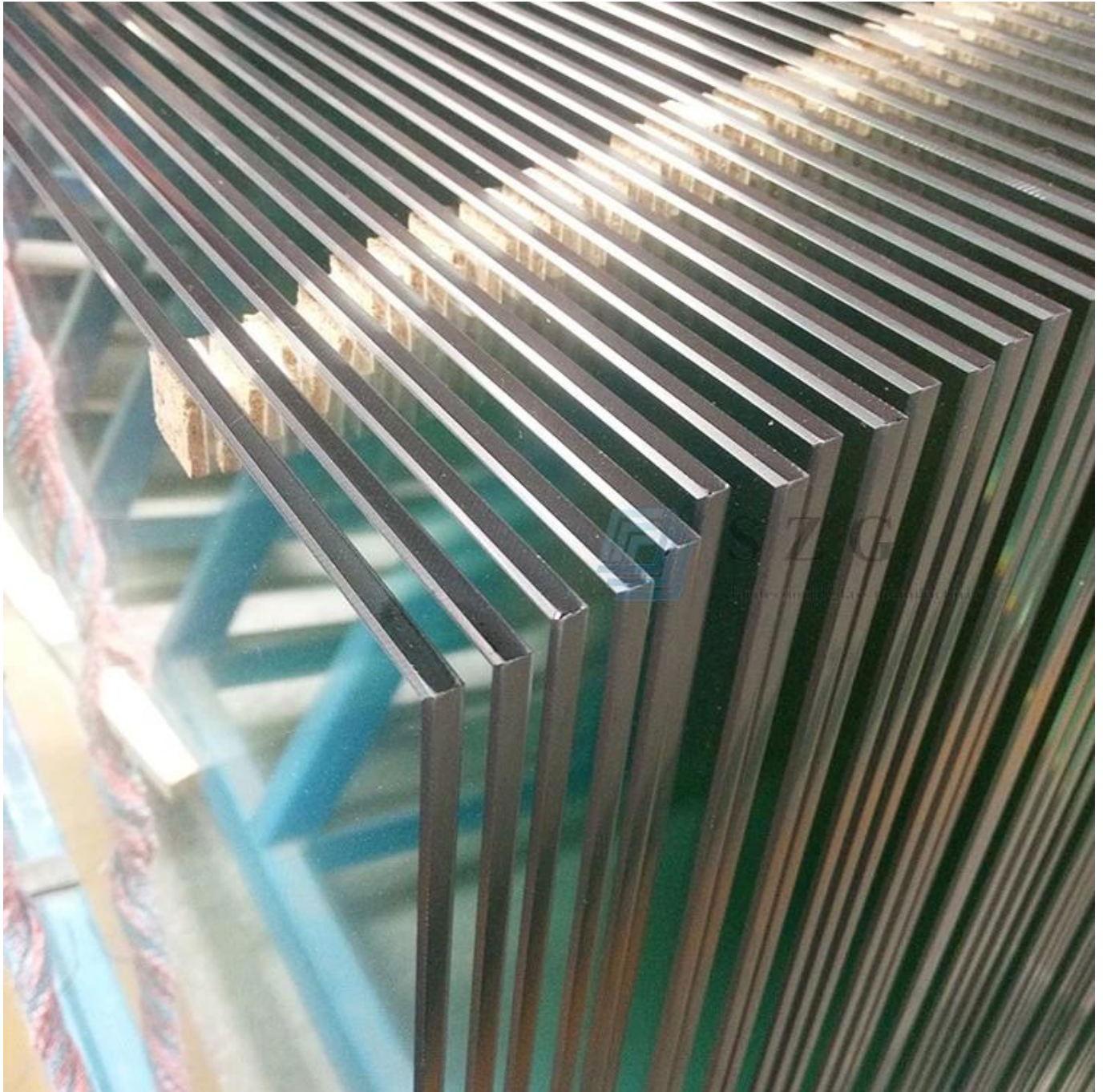




Glass for Door

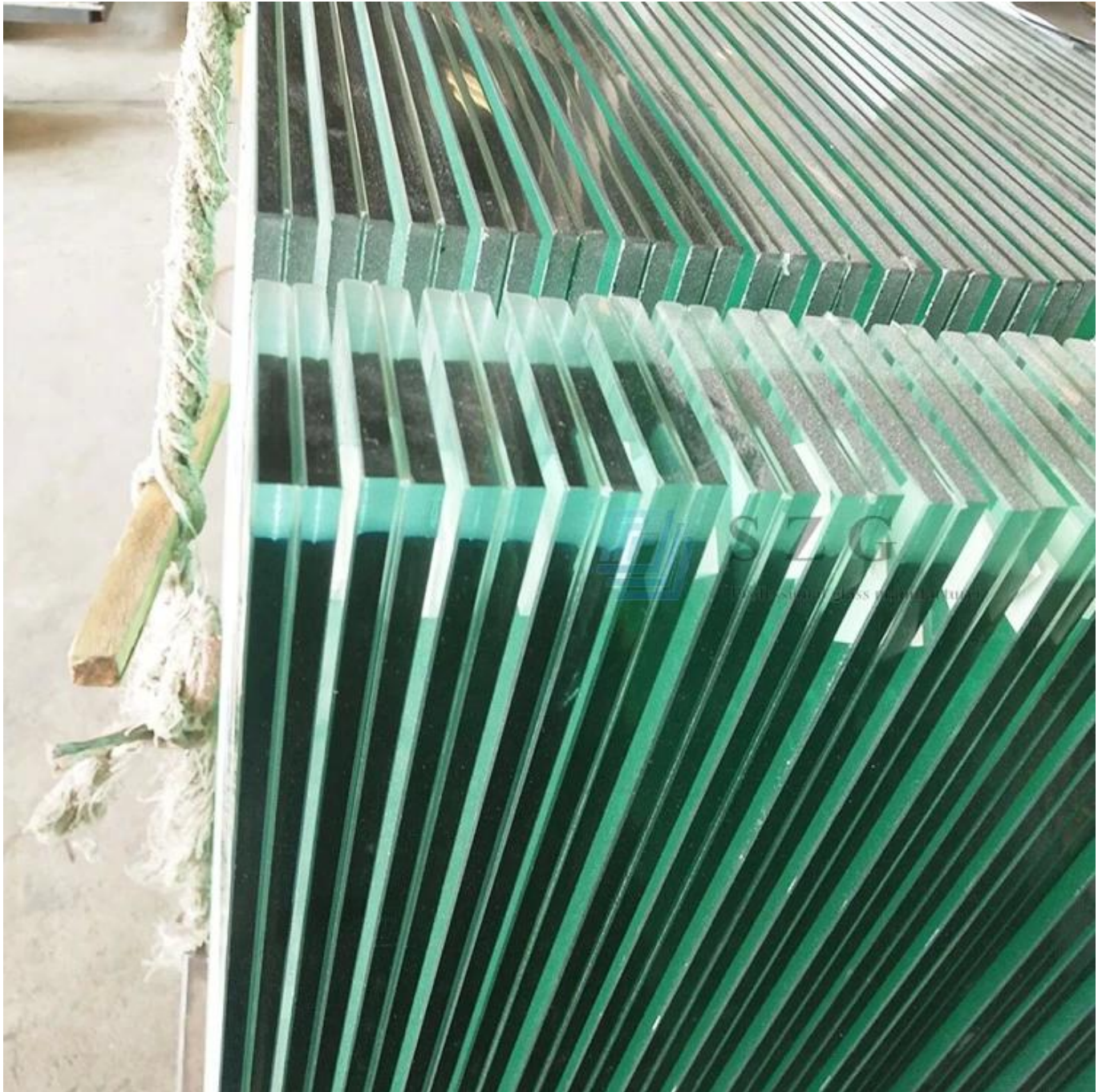
10mm 12mm Tempered Glass

Tempered glass is manufactured by use of controlled thermal or chemical treatment processes. The processes involved in its manufacturing increase its strength compared to traditional 'plate glass'. When tempered with, the outer surface tends to compress. At the same time, the inner surface gets tension which makes the glass resist breakage. It does not break like old fashioned 'annealed glass' it just safely crumbles to small granular particles that won't cut.



11.52mm 13.52mm Laminated Glass

Laminated glass is made by pasting PVB (polyvinyl butyral) resin glue film between two or more pieces of glass sheet, then heating, pressing and bonding them together to create flat or curved compound glass product. The glass sheet for making laminated glass can be ordinary glass, float glass, tempered glass, colored glass, heat-absorbing glass or heat-reflecting glass etc. Laminated glass has good transparency, and its impact resistance is several times higher than that of ordinary sheet glass. Bullet-proof glass is made by compounding multiple layers of ordinary glass or tempered glass. Due to the adhesion of PVB glue film, even when the glass breaks, its fragments keep binding on the thin film and will not hurt people, and the surface of the fragmented glass remains clean and smooth, which effectively prevents fragments from penetrating or falling, thus ensures human safety. Laminated glass made of different sheet glass has different features such as durability, heat resistance and moisture resistance etc.



Hardware for Door

Glass Clamp

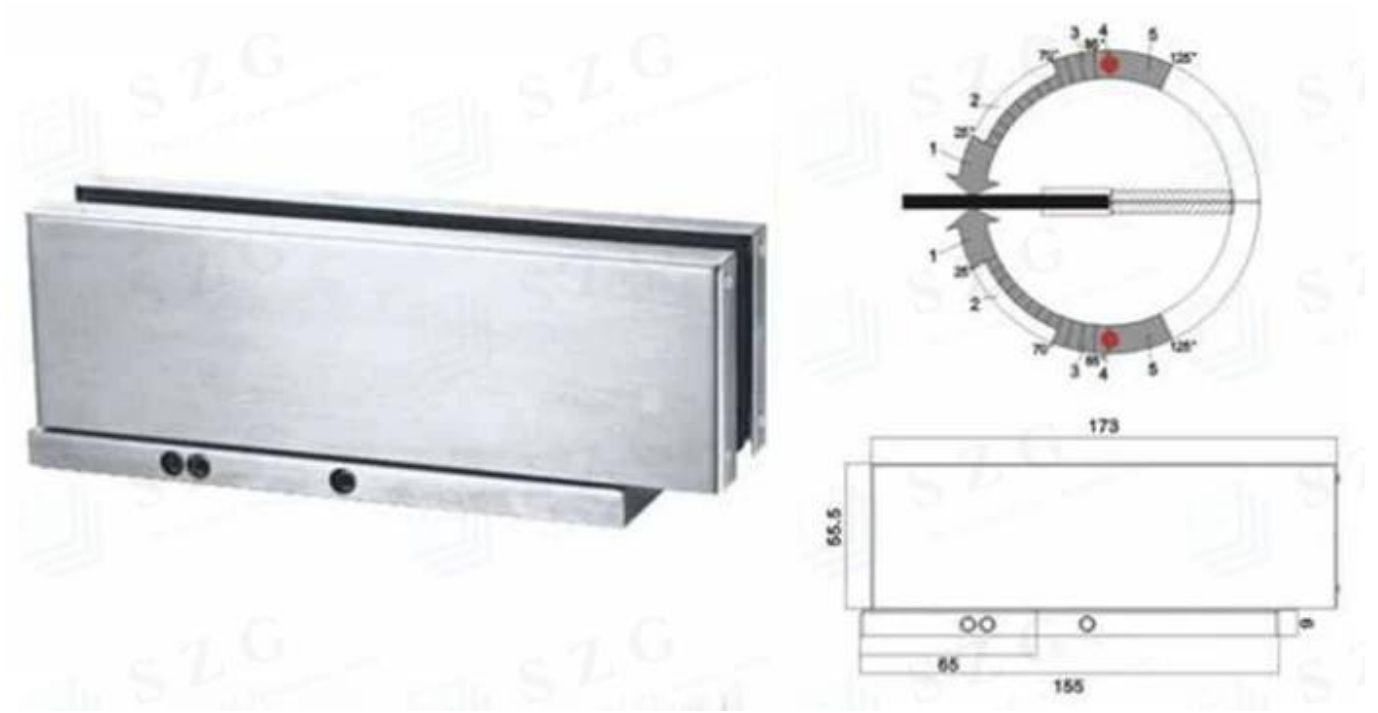
Closing range: 25 ° - 0 ° (adjusted by valve screw 2)

Closing range: 70 ° - 25 ° (adjusted by valve screw 1)

Closing range: 85 ° - 70 ° (non adjustable)

Closing range: 90 °

Closing range: 125 °

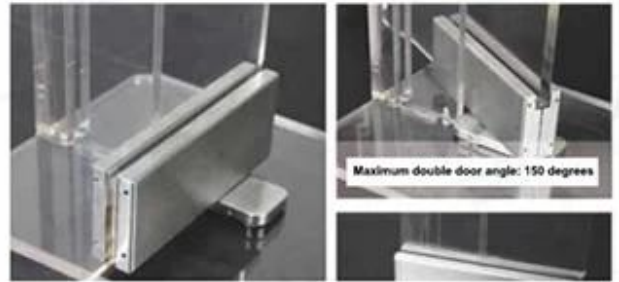
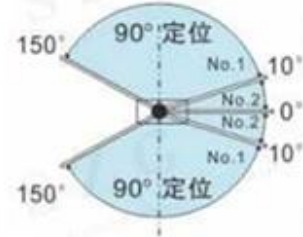


Floor Spring

Material: steel casted body with stainless steel cover
Finish: hairline



Frameless Mounting Illustration



Welcome to send us inquiry with your detail requirement and question.