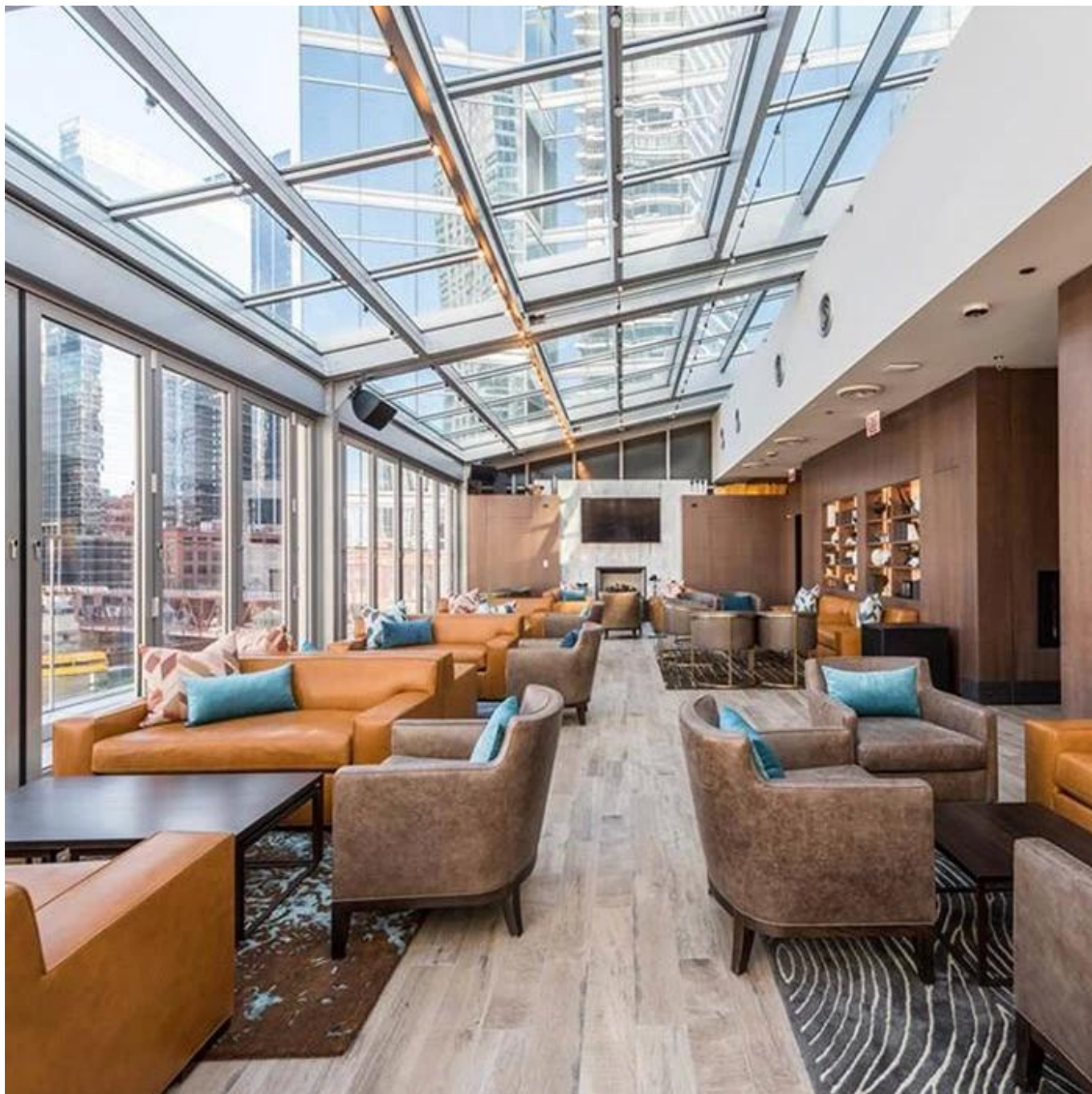


Automatic Retractable glass Roof System

The retractable roof / cover system is one of our most adaptable and innovative designs. With the push of a button you can retract and extend the individual glass or polycarbonate panels to control your exposure to the sun, wind, rain, and even snow. The roof has been designed to withstand the harshest climates and the most demanding environments. This system is ideal for covering spaces and creating that perfect environment by transforming your outdoor area into a complete outdoor living space.





Features

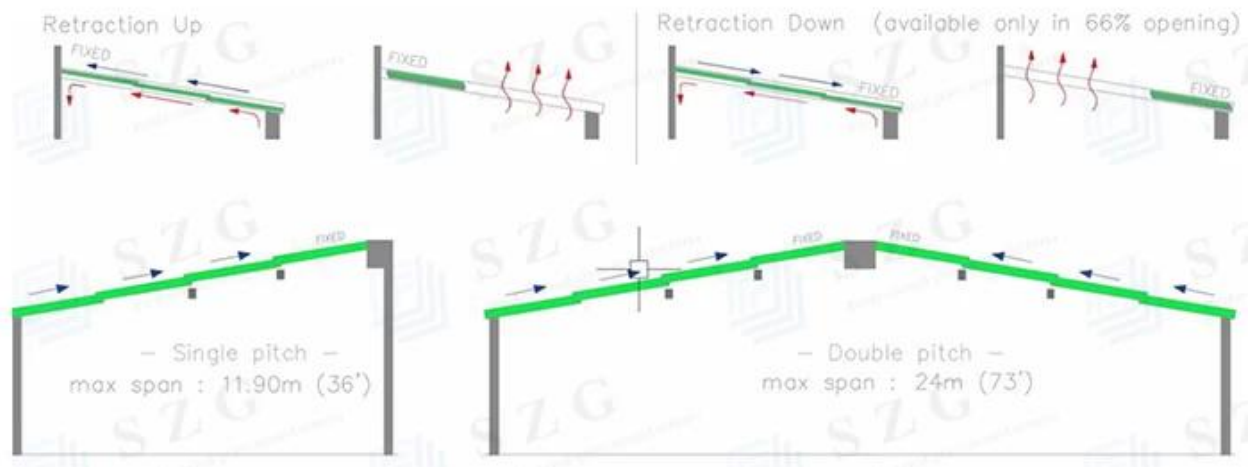
- | Especially suitable for terraces, garden enclosures, winter garden roofs, pool enclosures, restaurants and smoking rooms.
- | System is composed of sliding modules that move over each other and stack under the fixed part.
- | 100% water and air tightness thanks to its unique profile design.
- | Cost reduction through high modular design and short installation times.
- | Provides wall solutions at the same time.
- | Strong motor provides uniform, reliable movement of the sliding and customised opening speeds.
- | Options to use with glass, polycarbonate or other panel systems.
- | A completely modular construction enables you to start with the basic roof and then add shading

products, lighting and additional heating.

I Fully adaptation with vertical movable glass systems to convert into a full glass room.

I Optional mounting as roof overhang or as a free standing system without a need of steel construction.

I Corrosion resistant metal accessories and stainless steel screws.



Technical Details

Panel width: 1200 to 1350mm

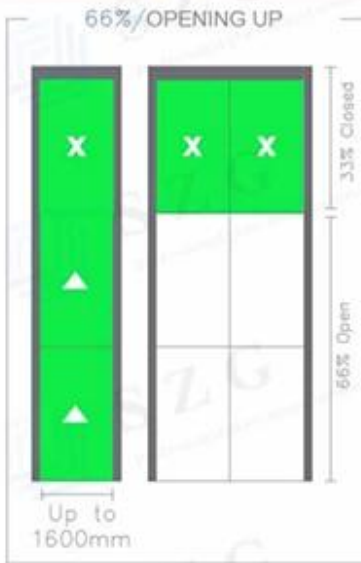
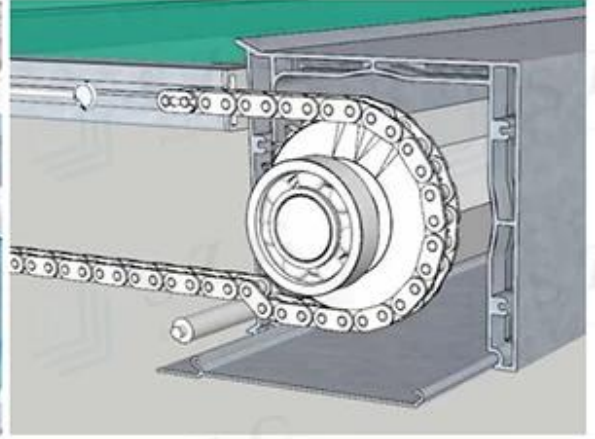
Panel length: 6000mm

Glass thickness: 10-38mm double panel glass

Glass type: laminated glass, insulated glass

Roof pitches: 0°-25°

System operation: sliding



Applications

- Balcony
- Patio
- Terrace
- Sunroom
- Pool cover
- Terrace restaurant



What is your detail requiremnet for glass roof? Welcome to send us your detail inquiry.