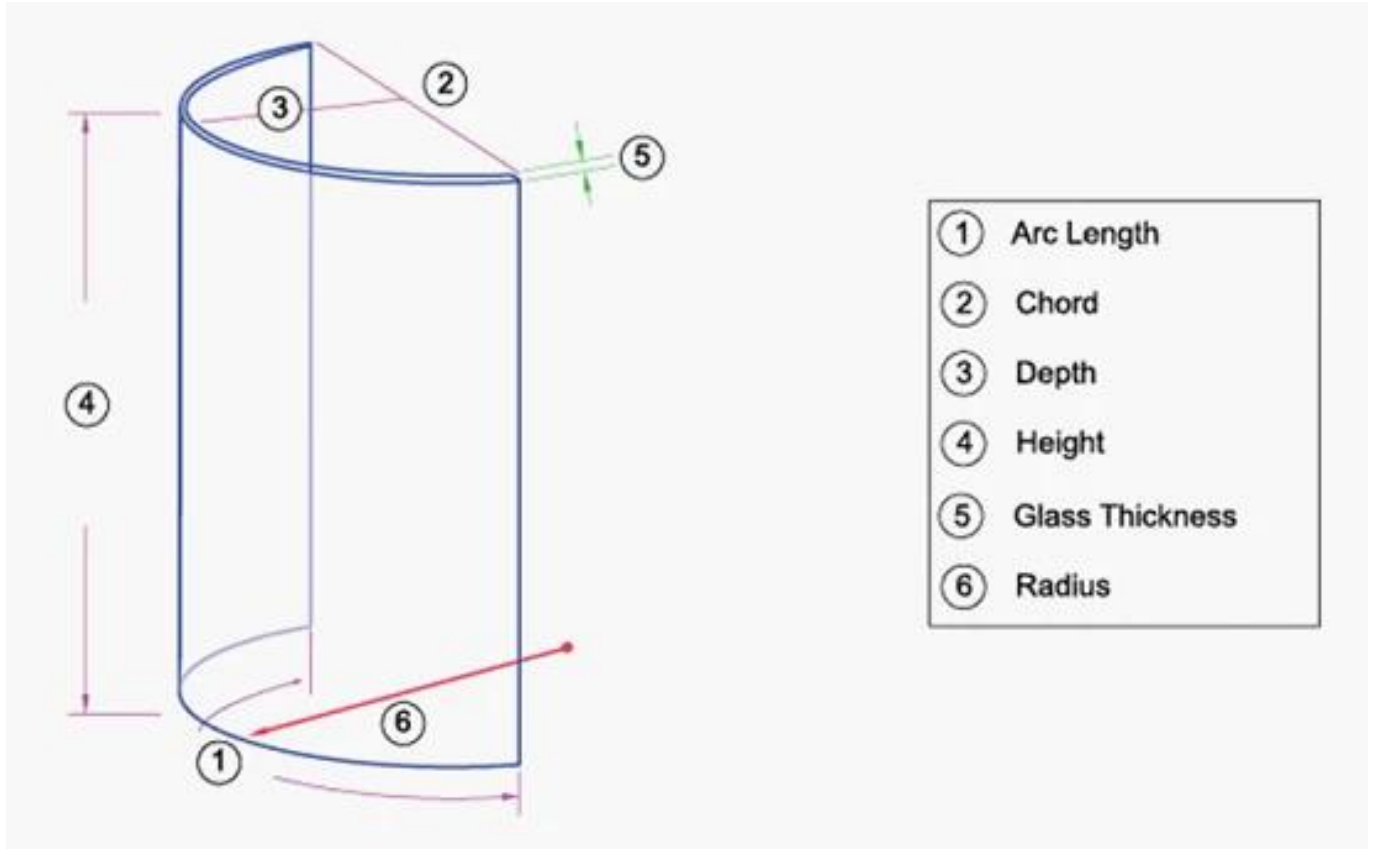


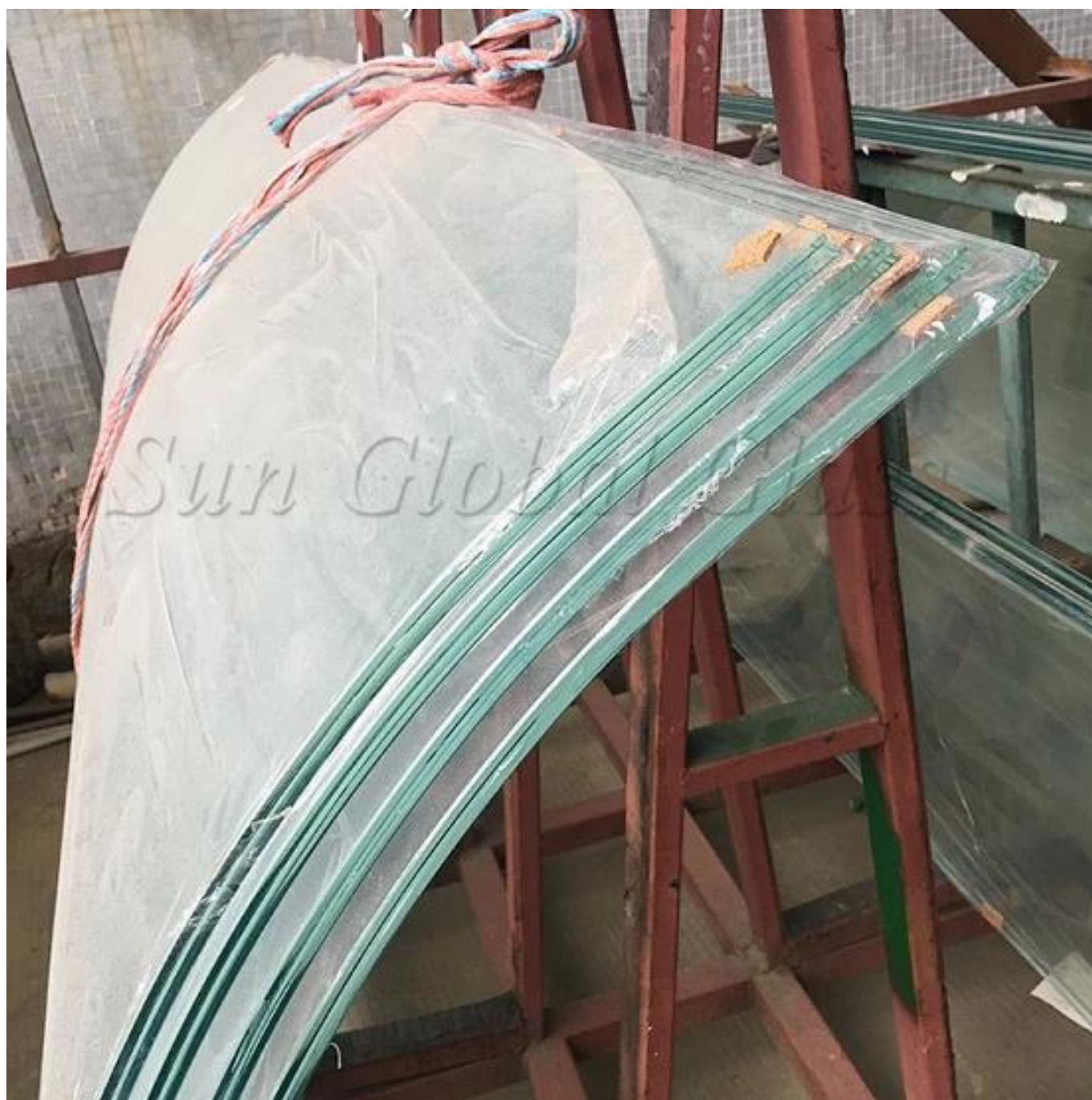
11.52mm curved laminated glass is shaped by controlled mould by computer, put the glass into tempering furnace to make the glass rapidly and uniformly cooled immediately after it is heated to the designed shape, then made up of two pieces safety 5mm curved **tempered glass** permanently bonded together with PVB interlayers via a controlled, highly pressurized and industrial heating process.



Advantage of SZG Curved Laminated Glass

1. SZG use Chinese best quality clear float glass to make, it is no bubbles, no scratches, no spots etc.
2. SZG can custom your size, the max arc length we can do is 3300mm, our min radius is 440mm and our max height is 5500mm.
3. High strength: The impact strength and bending strength is 3 to 5 times than ordinary float glass.
4. Safety: when glass broken, it will be divided into uniform, smaller obtuse-angle particles and stick to the interlayer, less harmful to human body.
5. Thermal stability: can withstand a temperature difference of 300 degrees celsius, 3 times higher than

ordinary glass.





Compare to the Clear Tempered Glass and Ultra Clear Tempered Glass

1. Ultra clear tempered glass is much lower iron content than clear tempered glass and looks more glittering and bright.
2. The self-explosion of ultra clear tempered glass is lower than clear tempered glass, it is only 1/10000 according to the statistics.

3. The visible light transmission of ultra clear tempered glass is higher than clear tempered glass, its transmittance of visible light is more than 91.5%.



Clear Tempered Glass



Ultra Clear Tempered Glass

SZG Services

1. Professional sales team, offering personalized and dedicated services.
2. Full range of architecture glass supply, offering one-stop purchase.
3. Top quality glass with ISO, CE, EN etc certificate exporting to more 50 countries.
4. Unique designed strong wooden cases, solving the problem of breakage.



Shenzhen Sun Global Glass Co., Limited is one of main building glass manufacturers in China. Our factory occupies 130,000 square meters equipped with 1000 skilled workers, 30 well-experienced, innovative technicians and advanced production machines.

As a CE qualified & ISO certified Manufacturer, We insist to offer superb quality building glass. In 2017. We got the certifications of EN12150, EN14449, BS6206, SGCC Safety Glass Standards.

Exhibition



Our Factory



Our Friends



What Project We have Done

Florence Inn Hotel



Pestana Cascais Hotel



Mauritius AML Shopping Center



Bolivia UNESCO Museum



UK State-Of-The-Art Academy



Philippines Fortunehill



Vietnam Vo Trong Nghia



Poland Gliwice Metro Station



